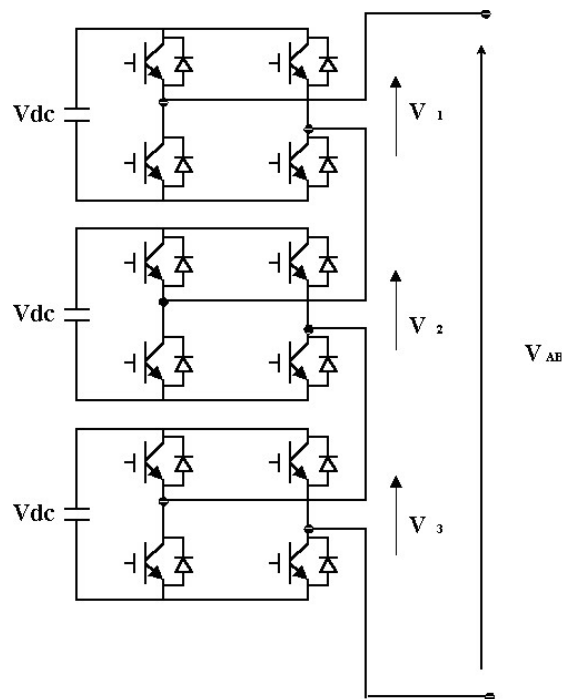




# *Leonardo Journal of Sciences*

*Issue 6*

*January-June  
2005*



ISSN 1583-0233



*AcademicDirect*  
Publishing House

# Leonardo Journal of Sciences

ISSN 1583-0233

Issue 6

January-June

2005

Leonardo Journal of Sciences

<http://ljs.academicdirect.org>

Edited by  
AcademicDirect Publishing House

*Tel.: 0766-239997*

Chief redactor  
Lorentz JÄNTSCHI

*E-mail: lori@ljs.academicdirect.org*

Editorial board

Gheorghe LAZEA, Prof. Ph. D. Eng. (automatics),  
*T. Univ., Cluj-Napoca, RO*

Elena ZAHARIEVA-STOJANOVA, Asist. Prof. Ph. D. Eng. (computer sciences),  
*T. Univ., Gabrovo, BG*

Ivan SIMEONOV SIMEONOV, Asist. Prof. Ph. D. Eng., (computer systems),  
*T. Univ., Gabrovo, BG*

Rosen STEFANOV IVANOV, Asist. Prof. Ph. D. Eng., (computer technologies),  
*T. Univ., Gabrovo, BG*

Lorentz JÄNTSCHI, Asist. Prof. Ph. D. Sci. Eng., (informatics),  
*T. Univ., Cluj-Napoca, RO*

Maria MICULA, Prof. Ph. D. Sci., (mathematics),  
*A. S. V. M. Univ., Cluj-Napoca, RO*

Tarek BOUKTIR, Prof. Ph. D. Eng., (engineering),  
*C.U. d'Oum El Bouaghi, DZ*

Elena Maria PICA, Prof. Ph. D. Sci., (chemistry),  
*T. Univ., Cluj-Napoca, RO*

Eugen CULEA, Prof. Ph. D. Sci., (physics),  
*T. Univ., Cluj-Napoca, RO*

Tiberiu RUSU, Prof. Ph. D. Eng., (environment),  
*T. Univ., Cluj-Napoca, RO*

Mircea SAVATTI, Prof. Ph. D. Eng., (agronomy),  
*A. S. V. M. Univ., Cluj-Napoca, RO*

Anca BUTNARU, Asist. Prof. Ph. D. Med., (medicine),  
*"I. H." M. F. Univ. Cluj-Napoca, RO*

## Contents

1. A New Harmonics Elimination Method Applied to a Static VAR Compensator Using a Three Level Inverter, by M. BENGHANEM, and A. DRAOU ..... p. 1-16
2. Urban Air pollution Evaluation by Computer Simulation: A case study of petroleum refining company Nigeria, by A. S. ABDULKAREEM ..... p. 17-28
3. Fluidization Characteristics of a Prototype Fluidized Bed Reactor, by F. ABERUAGBA, J. O. ODIGURE, K. R. ADEBOYE, and M. A. OLUTOYE ..... p. 29-41
4. A Comparative Modelling Study of PWM Control Techniques for Multilevel Cascaded Inverter, by A. TAHRI, and A. DRAOU . p. 42-58
5. Temperature Variations within Wooden and Metal Grain Silos in the Tropics during Storage of Maize (Zea Mays), by B. A. ALABADAN, and O. A. OYEWO ..... p. 59-67
6. Modeling of Water Turbidity Parameters in a Water Treatment Plant, by A. S. KOVO ..... p. 68-77
7. Molecular Descriptors Family on Structure Activity Relationships  
2. Insecticidal Activity of Neonicotinoid Compounds, by Sorana BOLBOACĂ, and Lorentz JÄNTSCHI..... p. 78-85

Leonardo Journal of Sciences

<http://ljs.academicdirect.org>

ISSN 1583-0233

AcademicDirect Publishing House

<http://ph.academicdirect.org>